

Prism

Mirror

**Window**

Beamsplitter

Waveplate

IR Optics

Lens

Filter

Micro Optics

Plastic Optics

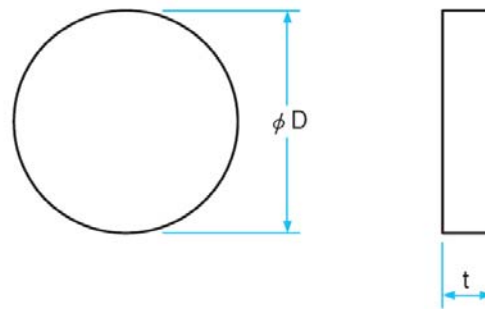
## Window

### Introductions



Used as transparent barriers for sending and receiving light between two phases under varying conditions in temperature, pressure, chemical composition, cleanliness, and phase. BK7 windows are used for visible and near IR. AR coated BK7 windows allowed more than 99% transmittance comparing with 92% of uncoated one.

### Beam Path



### Standard Specifications

Items	Specifications
Material	BK7 Grade A or equivalent Optical Glass
Designed Wavelength	546.1 nm
Designed Index	1.5183 ±0.0005
Dimension Tolerance	+0.0/-0.2 mm
Thickness Tolerance	± 0.2 mm
Clear Aperture	> 90%
Parallelism	< 1 arc minutes
Flatness	λ/4 at 632.8 nm
Surface Quality	scratch and dig 60-40
Bevel	0.5 (0/-0.3) mm

#### Notes:

1. Surface Quality could reach 40-20, 20-10
2. Parallelism such as 30", 10", 5" is available.
3. Please show us the size and the coating specification.

Part NO.	D(mm)	t(mm)	Coating
WND0101	12.7	3.0	uncoated
WND0102	12.7	5.0	uncoated
WND0103	15.0	2.0	uncoated
WND1101	12.7	3.0	T>99% @ 400-700 nm
WND1102	12.7	5.0	T>99% @ 400-700 nm
WND1103	15.0	2.0	T>99% @ 400-700 nm

Window

Optical Components

WND 01